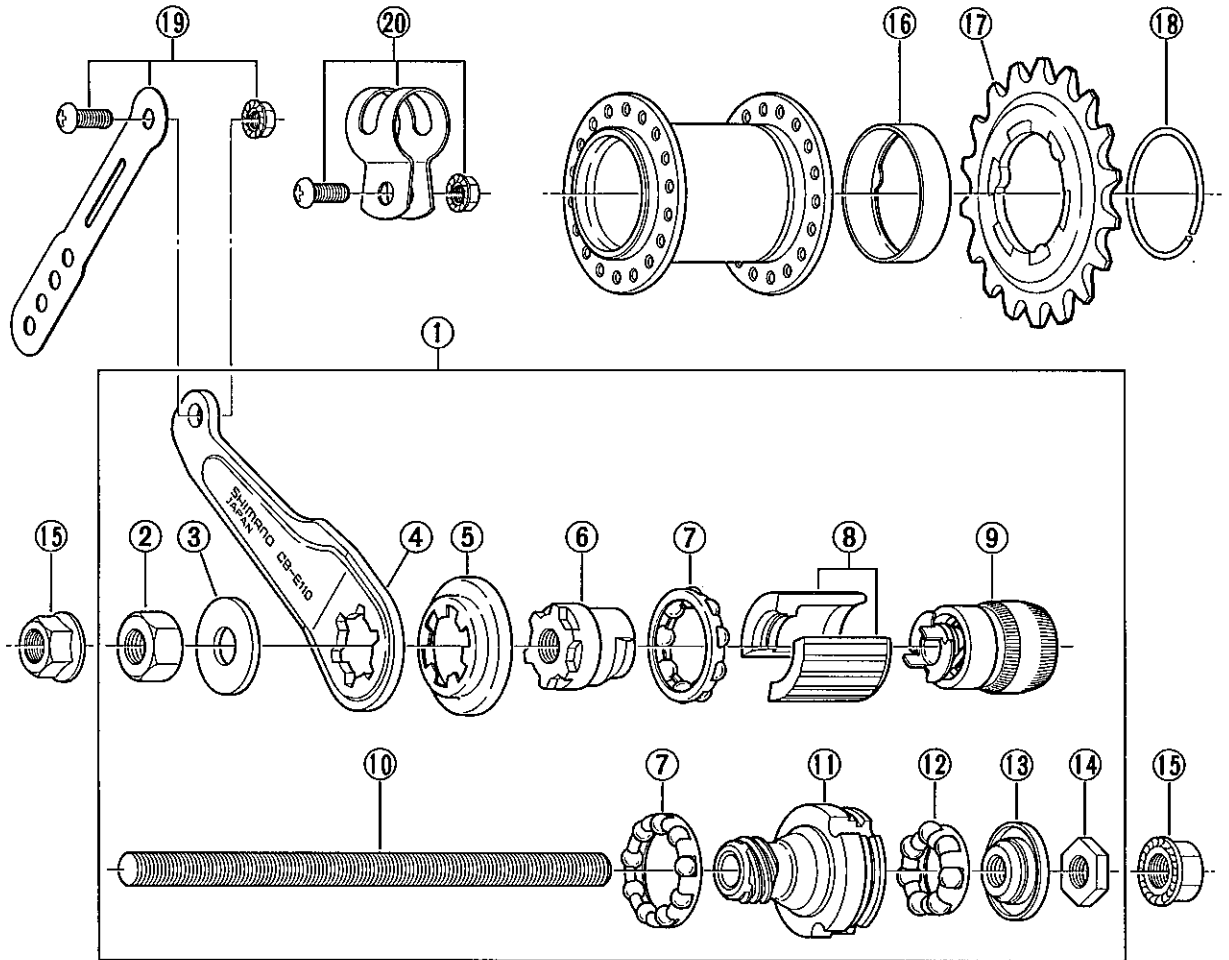


**CB-E110** COASTER BRAKE E-Type



ITEM NO.	PART NO.	DESCRIPTION	Q'TY
* 1	286 9801	Internal Kit 165mm(6-1/2")	
2	283 0900-1	Arm Nut	
3	283 1600-1	Arm Washer	
4	286 1400	Brake Arm	
5	286 1100	Left Hand Dust Cap	
6	286 0800	Brake Cone	
7	282 9005	Ball Retainer C (7/32")	
8	286 9806	Brake Shoe (2pcs)	
9	286 9805	Clutch Cone Unit	
*10	286 0130	Hub Axle 165mm(6-1/2")	
11	286 0400	Driver	
12	321 9022	Ball Retainer A (1/4")	
13	286 9807	Cone w/Dust Cap	
14	281 2100	Lock Nut 4mm	
15	286 1500	Flange Nut	
16	286 1000	Right Hand Dust Cap	
17	321 0300	Sprocket Wheel 14T	
	321 0311	Sprocket Wheel 15T (Flat Gear)	
	321 0320	Sprocket Wheel 16T	
	321 0330	Sprocket Wheel 17T	
	322 0340	Sprocket Wheel 18T	
	322 0350	Sprocket Wheel 19T	
	322 0360	Sprocket Wheel 20T	
18	321 2000	Snap Ring	
19	283 9007-1	Brake Arm Clip Unit (Flat Type)	
20	283 9036	Brake Arm Clip Unit (Band Type) 16mm(5/8")	
	283 9009	Brake Arm Clip Unit (Band Type) 19mm(3/4")	